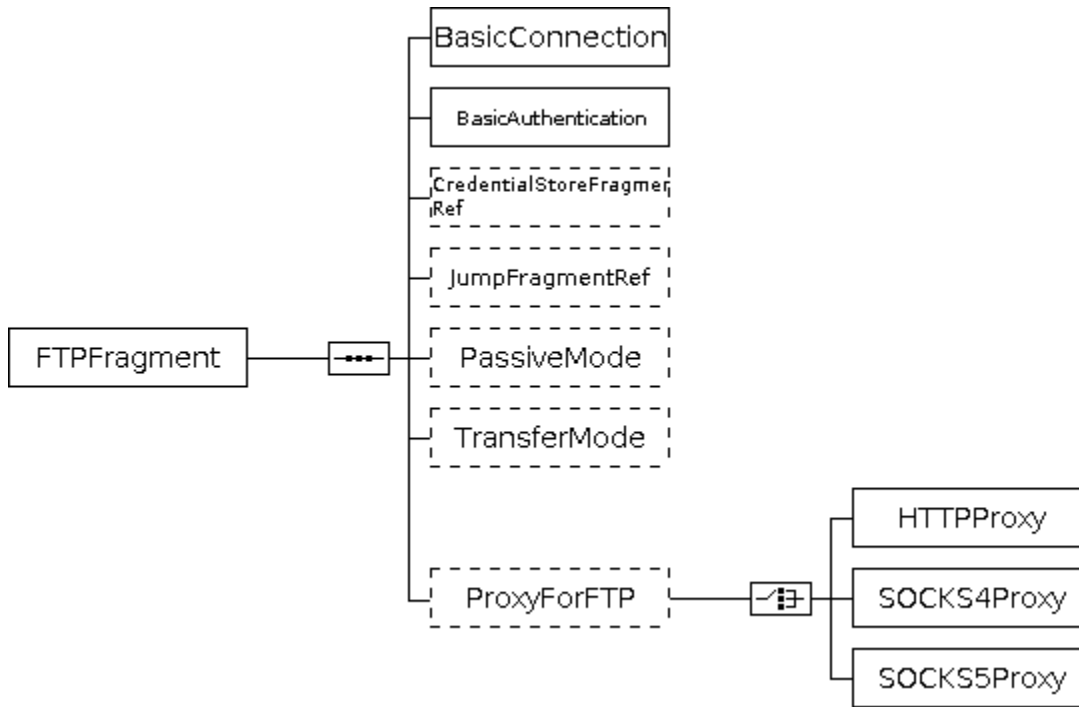


YADE Parameter Reference - FTPFragment

Diagram



Elements


FTPFragment			
References <ul style="list-style-type: none"> • Schema: FTPFragment • Parameter: FTPFragment • Mapping: <ul style="list-style-type: none"> • protocol 			
Notes <p>This element includes the parameters for an FTP file transfer connection including BasicAuthentication and BasicConnection configuration items.</p> <p>Any number of fragments can be configured and are distinguished by YADE according to their <i>name</i> attribute. Therefore a unique identifier should be specified for the <i>name</i> attribute.</p> <p>A fragment is referenced by a transfer Profile using the value of the FTPFragmentRef and its <i>ref</i> attribute.</p>			
name <p>This attribute identifies the current fragment. Any number of fragments can be used and are distinguished by YADE based on their name.</p> <p>A fragment is referenced via this attribute value by a transfer profile.</p>			
Element	Type	Required	Description
Attribute: name	NMTOKEN	Required	This attribute identifies the current fragment. Any number of fragments can be used and are distinguished by YADE based on their name. A fragment is referenced via this attribute value by a transfer profile.
BasicConnection	[BasicConnectionType] • Occurrence: 1	Required	References <ul style="list-style-type: none"> • Schema: BasicConnection • Parameter: BasicConnection Notes <p>A connection specifies parameters for a <i>Hostname</i> and a <i>Port</i> to which a connection is established.</p>
BasicAuthentication	[BasicAuthenticationType] • Occurrence: 1	Required	References <ul style="list-style-type: none"> • Schema: BasicAuthentication • Parameter: BasicAuthentication Notes <p>The <i>BasicAuthentication</i> element specifies the credentials for authentication with a server, e.g. using an FTP protocol or a Proxy Protocol. Child elements include:</p> <ul style="list-style-type: none"> • <i>Account</i> for authentication. For Windows Systems an account could include the domain. • <i>Password</i> for authentication. Passwords are not displayed in the YADE log files. <p><i>BasicAuthentication</i> is available for a number of File Transfer Protocols and Proxy Protocols. The drawback with BasicAuthentication is that passwords are stored directly in configuration files. In order to avoid this you could switch to using File Transfer Protocols that allow SSHAuthentication, e.g. SFTP.</p>

CredentialStoreFragmentRef	<ul style="list-style-type: none"> • Occurrence: 0..1 	Optional	<p>References</p> <ul style="list-style-type: none"> • Schema: CredentialStoreFragmentRef • Parameter: CredentialStoreFragmentRef <p>Notes</p> <p>This element references the fragment that is used to insert configuration items from a secure store into a file transfer configuration.</p> <p>Any number of reusable CredentialStoreFragment elements can be configured and are distinguished by YADE based on their <i>name</i> attribute.</p> <p>The reference to a fragment is based on the value of the <i>ref</i> attribute of this element to the corresponding <i>name</i> attribute of the <i>CredentialStoreFragment</i> element.</p> <p>Support for a jump host.</p> <p>Note: Availability starting with YADE-488.</p> <p><i>ref</i></p> <p>This attribute identifies the fragment that is used for inserting secure configuration items.</p>
JumpFragmentRef	<ul style="list-style-type: none"> • Occurrence: 0..1 	Optional	<p>References</p> <ul style="list-style-type: none"> • Schema: JumpFragmentRef • Parameter: JumpFragmentRef <p>Notes</p> <p>Any number of reusable JumpFragment elements can be configured and are distinguished by YADE based on their <i>name</i> attribute.</p> <p>This element identifies the <i>JumpFragment</i> that is applied for use of a jump host in a file transfer.</p> <p>The reference to a fragment is based on the value of the <i>ref</i> attribute of this element to the corresponding <i>name</i> attribute of the <i>JumpFragment</i> element.</p> <p><i>ref</i></p> <p>This attribute identifies the fragment that is used for a jump host.</p>
PassiveMode	<ul style="list-style-type: none"> • Whitespace: collapse • Occurrence: 0..1 	Optional	<p>References</p> <ul style="list-style-type: none"> • Schema: PassiveMode • Parameter: PassiveMode • Mapping: <ul style="list-style-type: none"> • passive_mode • FTPTransferModelsPassive <p>Notes</p> <p>Passive mode is often required for FTP transfers with firewalls.</p>
TransferMode	<ul style="list-style-type: none"> • Whitespace: preserve • Enumeration: <ul style="list-style-type: none"> • binary • ascii • Occurrence: 0..1 	Optional	<p>References</p> <ul style="list-style-type: none"> • Schema: TransferMode • Parameter: TransferMode • Mapping: <ul style="list-style-type: none"> • transfer_mode <p>Notes</p> <p>Transfer mode is used only for FTP and can be either <i>ascii</i> or <i>binary</i>.</p>
ProxyForFTP	<ul style="list-style-type: none"> • Occurrence: 0..1 	Optional	ProxyForFTP - will use the HTTP, SOCKS4 or SOCKS5 proxy
HTTPProxy	<ul style="list-style-type: none"> [Authenticated ProxyType] • Occurrence: 1 	Required	<p>References</p> <ul style="list-style-type: none"> • Schema: HTTPProxy • Parameter: HTTPProxy • Mapping: <ul style="list-style-type: none"> • proxy_protocol • Release: <ul style="list-style-type: none"> • YADE-351 Availability starting with 1.11. <p>Notes</p> <p>Proxies can make use of different protocols, a HTTPProxy - as the name suggests - will use the HTTP protocol</p> <p>HTTP proxies optionally support authentication.</p>
SOCKS4Proxy	<ul style="list-style-type: none"> [Unauthenticated ProxyType] • Occurrence: 1 	Required	<p>References</p> <ul style="list-style-type: none"> • Schema: SOCKS4Proxy • Parameter: SOCKS4Proxy • Mapping: <ul style="list-style-type: none"> • proxy_protocol <p>Notes</p> <p>Proxies can make use of different protocols, a SOCKS4Proxy - as the name suggests - will use the SOCKS4 protocol</p> <p>SOCKS4 proxies do not support authentication.</p>

SOCKS5Proxy	[Authenticated ProxyType] <ul style="list-style-type: none"> • Occurrence: 1 	Required	<p>References</p> <ul style="list-style-type: none"> • Schema: SOCKS5Proxy • Parameter: SOCKS5Proxy • Mapping: <ul style="list-style-type: none"> • proxy_protocol <p>Notes</p> <p>Proxies can make use of different protocols, a SOCKS5Proxy - as the name suggests - will use the SOCKS5 protocol</p> <p>SOCKS5 proxies optionally support authentication.</p>
-------------	---	----------	---

Note

The **CheckServerFeatures** and **ControlEncoding** parameters have been deleted from version 1.12. See

 [JADE-340](#) - Unable to render Jira issues macro. Connection to Jira has timed out.

for more information.